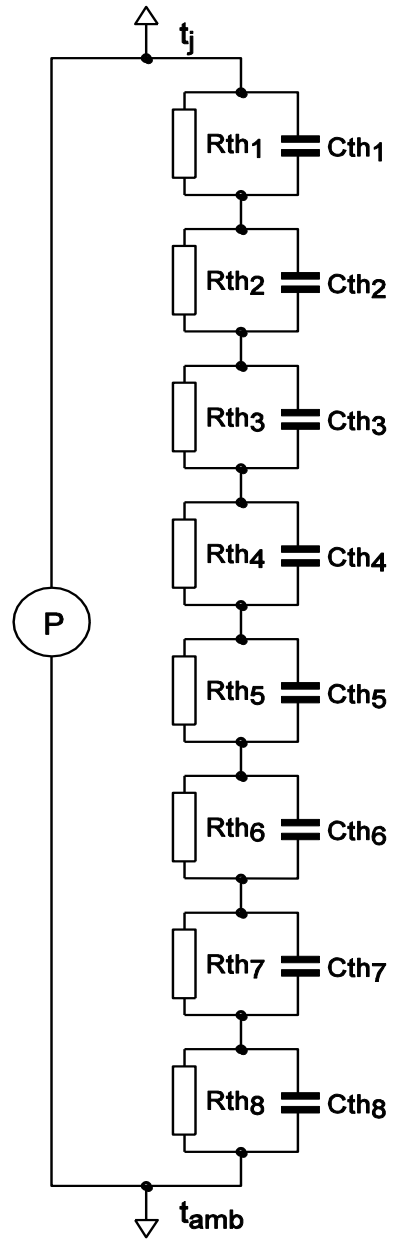


SPICE thermal model

PSMN4R0-40YS

| Symbol | Parameter | Conditions | Min | Typ | Max | Unit |
|----------------|---|------------|-----|-----|------|------|
| $R_{th(j-mb)}$ | thermal resistance from junction to mounting base | | - | - | 0.00 | K/W |

| | |
|-----------|--------------------|
| C_{th1} | 2.457E-05 F |
| C_{th2} | 2.280E-04 F |
| C_{th3} | 4.471E-04 F |
| C_{th4} | 1.883E-03 F |
| C_{th5} | 4.856E-03 F |
| C_{th6} | 2.004E-02 F |
| C_{th7} | 1.320E-01 F |
| C_{th8} | 4.801E+00 F |
| R_{th1} | 3.132E-03 Ω |
| R_{th2} | 5.137E-03 Ω |
| R_{th3} | 2.199E-02 Ω |
| R_{th4} | 5.657E-02 Ω |
| R_{th5} | 1.973E-01 Ω |
| R_{th6} | 5.282E-01 Ω |
| R_{th7} | 5.811E-01 Ω |
| R_{th8} | 2.656E-02 Ω |



001aal768

Part: PSMN4R0-40YS
 Date: 1/9/2015
 Model Rth 1.42 K/W